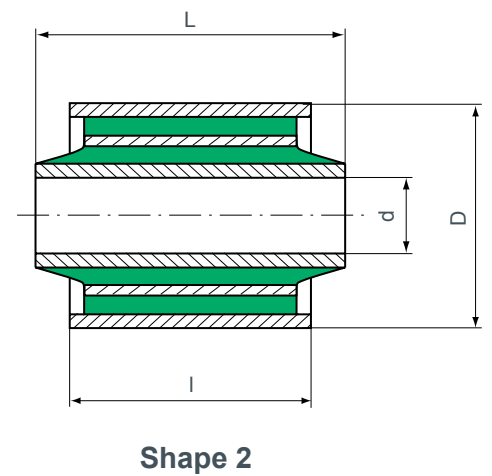
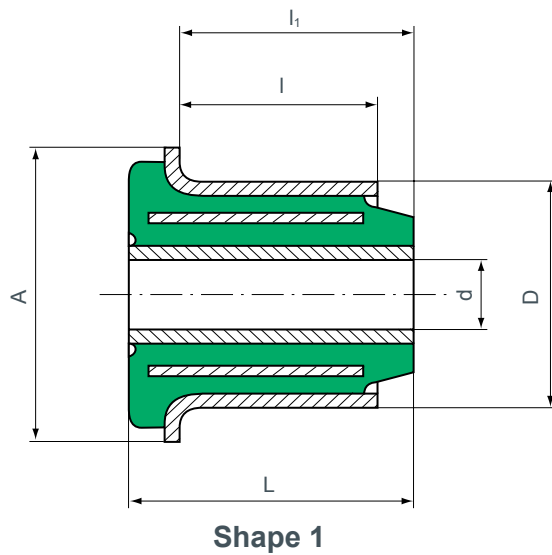


LAMINATED BUSHES



DIMENSIONS

| d (mm) | D (mm) | A (mm) | L (mm) | l (mm) | l ₁ (mm) | Shape | Reference |
|--------|--------|--------|--------|--------|---------------------|-------|-----------|
| 12 | 34 | - | 48 | 30 | - | 2 | 560033 |
| 14 | 35 | - | 58,3 | 43 | - | 2 | 561040 |
| 14 | 40 | 55 | 27,4 | 16,3 | 17 | 1 | 531427 |
| 16 | 40 | - | 46 | 32 | - | 2 | 560062 |
| 20 | 38 | - | 60 | 59 | - | 2 | 579071 |

TECHNICAL CHARACTERISTICS

| Reference | Maximum Radial Load | | Axial static load (daN) | Torsion | |
|-----------|---------------------|---------------|-------------------------|-----------|---------------------|
| | Static (daN) | Dynamic (daN) | | Max Angle | Approx. torque N.m. |
| 531427* | 400 | - | 130 | 20° | 80 |
| 560062 | 900 | - | 40 | 15° | 20 |
| 560033 | 750 | - | 40 | 20° | 10 |
| 561040 | 850 | - | 50 | 20° | 50 |
| 579071 | 10 500 | 15 000 | - | 6° | 54 |

* The axial load is measured on the side of the lateral stop.

1 kg ≈ 1 daN